

APV26

FLOOR DRAIN 105×105/50 MM SIDE OUTLET, STAINLESS STEEL GRID, WET ODOUR TRAP

Application:

- For the interior, where there will be frequent use associated with the regular water runoff into drains (bathrooms)
- For drainage of floor level
- For wheelchair access

Features:

- Reduced installation height
- Stainless steel grid 102×102×5 mm
- Height adjustable neck 11 – 47 mm
- Insulation collar for connection to waterproofing construction
- Side connection to waste Ø50 mm
- Completely cleanable trap up to the waste pipe
- Wet odour trap prevents odours from the sewer
- Material: polypropylene resistant to mechanical, chemical and thermal damage

Standards:

ČSN EN 1253

Technical parameters:

The flow of the inlet grid	32 l/min.
Odour trap	25 mm

Scope of supply:

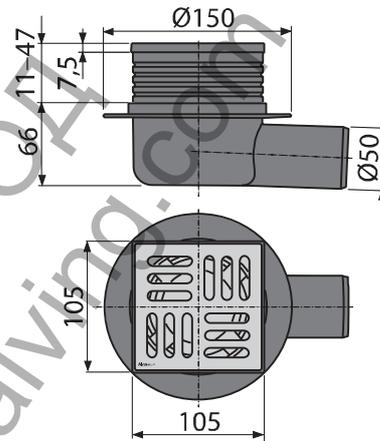
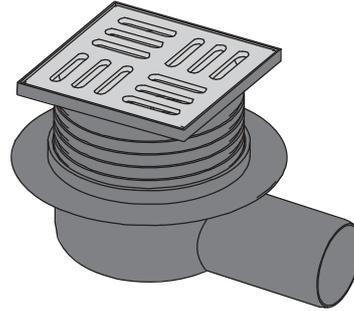
- Drain body Ø50 mm, side outlet
- Drain throat 105×105 mm
- Stainless steel grid
- Wet odour trap
- Seal Kit

Logistic information:

Weight (piece)	0.3882 kg
Dimensions (piece)	250×190×100 mm
Quantity (packing)	25 pcs
Quantity (pallet)	400 pcs

Order number:

Code	EAN
APV26	8595580503765



Ташев-Галвинг ООД
www.tashev-galvin.com